

TriMed



GYNECOLOGY



SIMPSON
TM-122-23 23CM/9"



WRIGLEY
TM-123-28 28CM/11"



SIMPSON-BRAUN
TM-124-36 36CM/14"



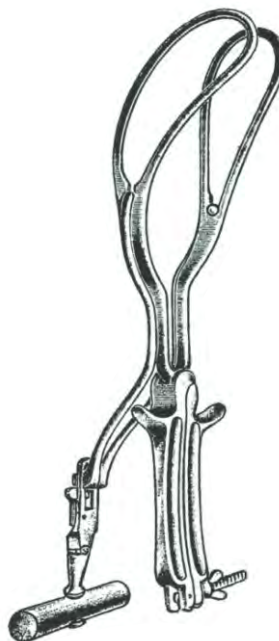
SELLHEIM
TM-125-28 28CM/11"



MILLEN-MURRAY
TM-126-38 38CM/15"



KIELLAND
TM-127-41 41CM/16"



K.N. DASS
TM-128-35 35CM/14"



BARNES
TM-129-43 43CM/17"



CUSCO
 TP-101-75-S 75mm X 32mm
 TP-101-85-M 85mm X 35mm
 TP-101-100-L 100mm X 35mm



CUSCO
 TP-102-75-S 75mm X 32mm
 TP-102-85-M 85mm X 35mm
 TP-102-100-L 100mm X 35mm



GRAVE (BI-VAVLE)
 TP-103-75-S 75mm X 20mm
 TP-103-85-M 85mm X 30mm
 TP-103-115-L 115mm X 35mm



COLLIN-LANDAU
 TP-104-90 90mm X 30mm
 TP-104-100 100mm X 35mm



SEMM
 TP-105-95-S 95mm X 14mm
 TP-105-100-M 100mm X 17mm
 TP-105-100-L 100mm X 25mm



KRISTELLER
TP-113 - 1
TP-113 - 2
TP-113 - 3



KRISTELLER
TP-114 - 1
TP-114 - 2
TP-114 - 3



KRISTELLER
TP-115



SIMS
TP-116-1 SMALL
TP-116-2 MEDIUM
TP-116-3 LARGE
TP-116-4 EXTRA LARGE



SOONAWALA
TP-117



AUVARD
TP-118- 21 21CM/8¼"



- TP-120-20 100 X 20 mm
- TP-120-25 100 X 25 mm
- TP-120-30 100 X 30 mm
- TP-120-35 100 X 35 mm
- TP-120-40 100 X 40 mm
- TP-123-20 130 X 20 mm
- TP-123-25 130 X 25 mm
- TP-123-30 130 X 30 mm
- TP-123-35 130 X 35 mm
- TP-123-40 130 X 40 mm
- TP-125-40 130 X 40 mm

KRISTELLER

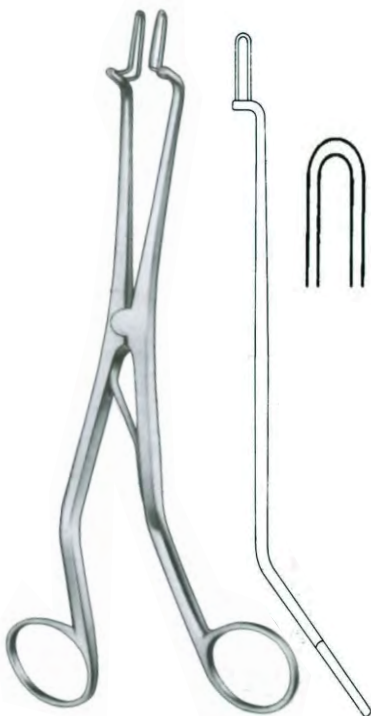


- TP-125-28 100 X 28 mm
- TP-125-38 100 X 38 mm

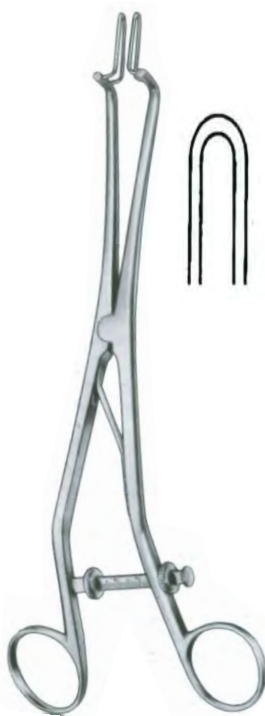
LAM



JOLLS THYROID
TR-148-15 15CM/6"



KOGAN
TF-189-24 24CM/9½"



KOGAN
TF-190-24 24CM/9½"



UTRINE MANIPULATOR
TF-191-24 24CM/9½"



UTRINE MANIPULATOR
TF-192-19 19CM/7½"



HEGAR

TP-135-01	1 mm	TP-135-16	16 mm
TP-135-02	2 mm	TP-135-17	17 mm
TP-135-03	3 mm	TP-135-18	18 mm
TP-135-04	4 mm	TP-135-19	19 mm
TP-135-05	5 mm	TP-135-20	20 mm
TP-135-06	6 mm	TP-135-21	21 mm
TP-135-07	7 mm	TP-135-22	22 mm
TP-135-08	8 mm	TP-135-23	23 mm
TP-135-09	9 mm	TP-135-24	24 mm
TP-135-10	10 mm	TP-135-25	25 mm
TP-135-11	11 mm	TP-135-26	26 mm
TP-135-12	12 mm	TP-135-27	27 mm
TP-135-13	13 mm	TP-135-28	28 mm
TP-135-14	14 mm	TP-135-29	29 mm
TP-135-15	15 mm	TP-135-30	30 mm



HEGAR

TP-140-01	1.5 mm
TP-140-02	2.5 mm
TP-140-03	3.5 mm
TP-140-04	4.5 mm
TP-140-05	5.5 mm
TP-140-06	6.5 mm
TP-140-07	7.5 mm
TP-140-08	8.5 mm
TP-140-09	9.5 mm
TP-140-10	10.5 mm
TP-140-11	11.5 mm
TP-140-12	12.5 mm
TP-140-13	13.5 mm
TP-140-14	14.5 mm
TP-140-15	15.5 mm
TP-140-16	16.5 mm



HEGAR
TP-145-14 4-17 mm



HEGAR
TP-146-14 4-17 mm
TP-146-26 1-26 mm



HEGAR

- TM-240-01 1/2 mm
- TM-240-03 3/4 mm
- TM-240-05 5/6 mm
- TM-240-07 7/8 mm
- TM-240-09 9/10 mm
- TM-240-11 11/12 mm
- TM-240-13 13/14 mm
- TM-240-15 15/16 mm
- TM-240-17 17/18 mm
- TM-240-19 19/20 mm
- TM-240-21 21/22 mm
- TM-240-23 23/24 mm
- TM-240-25 25/26 mm



HEGAR

- TM-240-08 3/4 - 17/18 mm
- TM-241-10 1/2- 25/26 mm



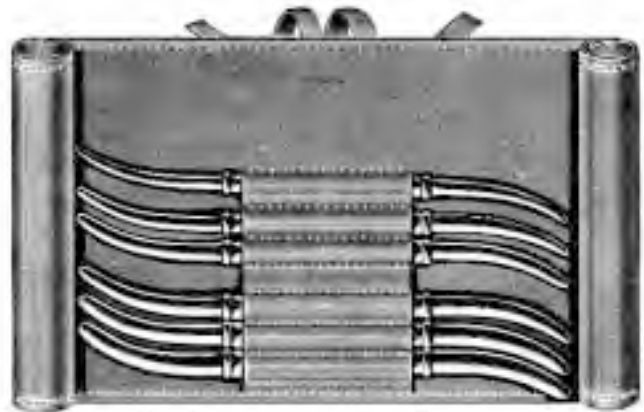
HEGAR

- TM-242-08 3/4 - 17/18 mm
- TM-242-10 1/2- 25/26 mm



HANK
TP-155-06
4.5/5 - 9.5/10 mm

- HANK
- TP-150-10 4.5/5 mm
 - TP-150-12 5.5/6 mm
 - TP-150-14 6.5/7 mm
 - TP-150-16 7.5/8 mm
 - TP-150-18 8.5/9 mm
 - TP-150-20 9.5/10 mm



HANK
TP-156-08



GOODELL
TP-161-34
34CM/13¼"



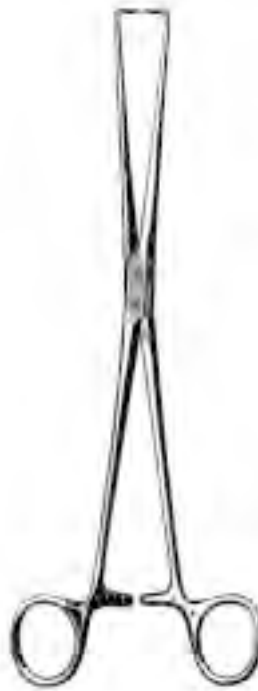
WYLIE
TP-163-29
29CM/11¼"



SIMS
TP-165-29
29CM/11¼"



SCHROEDER
TP-170-25
25CM/10"



BRAUN
TP-172-25
25CM/10"



SKENE
TP-175-24
24CM/9½"



DUPLAY
TP-177-28
28CM/11"



STAUDE-MOORE
TP-178-17
17CM/6¾"



BARRETT
TP-180-18
18CM/7"



JARCHO
TP-182-20
20CM/8"



SCHROEDER
TP-184-24
24CM/9½"



SCHROEDER
TP-185-24
24CM/9½"



MUSEUX
24CM/9½"



TP-190-06
6 mm



TP-190-08
8 mm



TP-190-10
10 mm



MUSEUX
24CM/9½"



TP-195-06
6 mm



TP-195-08
8 mm



TP-195-10
10 mm



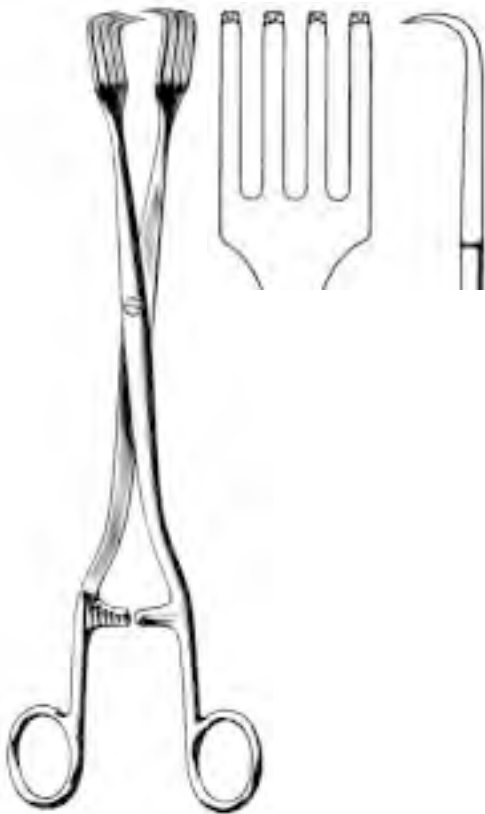
TEALE
TP-200-23
23CM/9"



JACOBS
TP-202-21
21CM/8¼"



JACOBS
TP-203-21
21CM/8¼"



PRATT
TP-205-28
28CM/11"



IOWA
TP-209-26
26CM/10¼"



Amniotome

BEACHAM
TP-211-26
26CM/10¼"



NOTO
TP-220-27
27CM/10½"



DOYEN
TP-222-20
20CM/8"



KELLY
TP-223-32
32CM/12¾"



DARTIGUES
TP-225-27
27CM/10½"



SOMER
TP-227-23
23CM/9"



COLLIN
TP-229-25
25CM/10"



BRAUN
TP-230-28
28CM/11"



SIMS
TM-107-26
26CM/10¼"



COLLIN
TP-234-28
28CM/11"



rigid

SIMS
TM-111-32-R
32CM/12¾"



malleable

SIMS
TM-111-32-M
32CM/12¾"



rigid

MARTIN
TP-242-32
32CM/12¾"



malleable

MARTIN
TP-243-32
32CM/12¾"



RANDAL
TP-250-04
24CM/9½"

NOVAK
TP-252-01 1 mm
TP-252-02 2 mm
TP-252-03 3 mm
TP-252-04 4 mm
24CM/9½"

KEVORKIAN
TP-254-12 1.2 mm
TP-254-40 4.0 mm
30CM/12"

KEVORKIAN
TP-256-40
30CM/12"



BRAUN
TP-260-21
21CM/8¼"



SCHUBERT
TP-264-21 21CM/8¼"
TP-264-28 28CM/11"



SCHUBERT
TP-265-26 26CM/10¼"



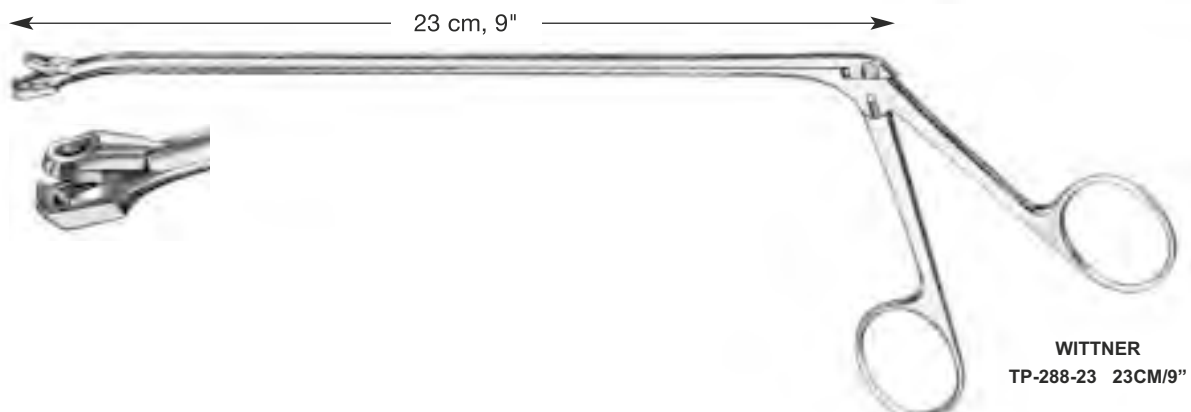
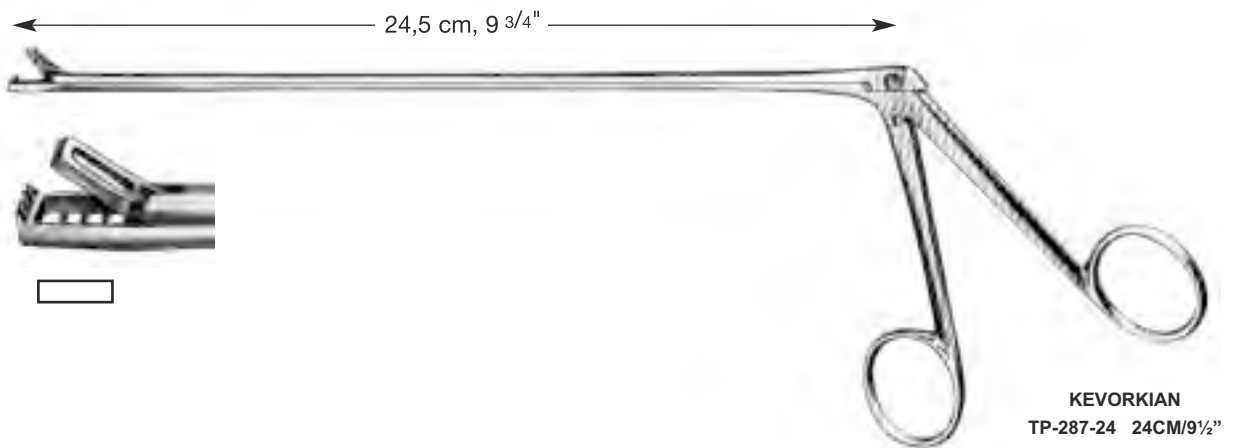
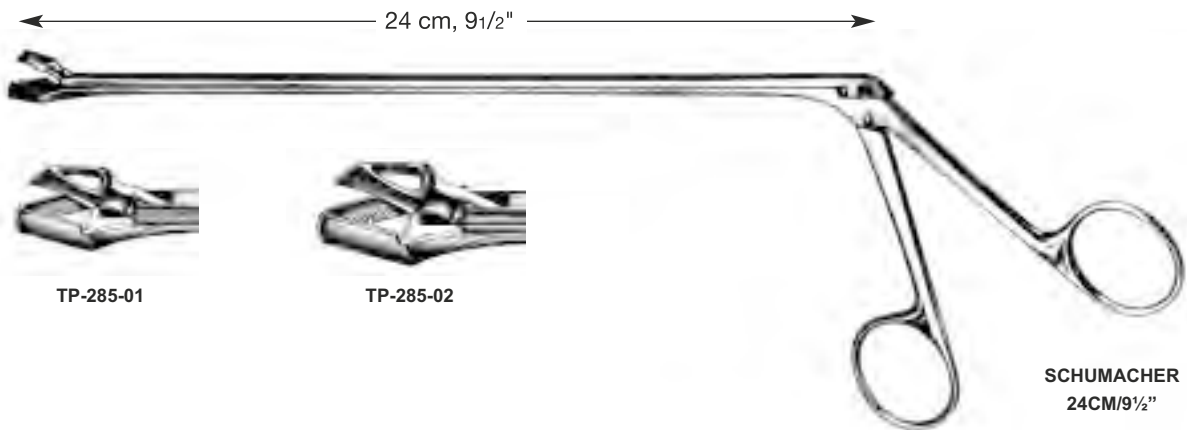
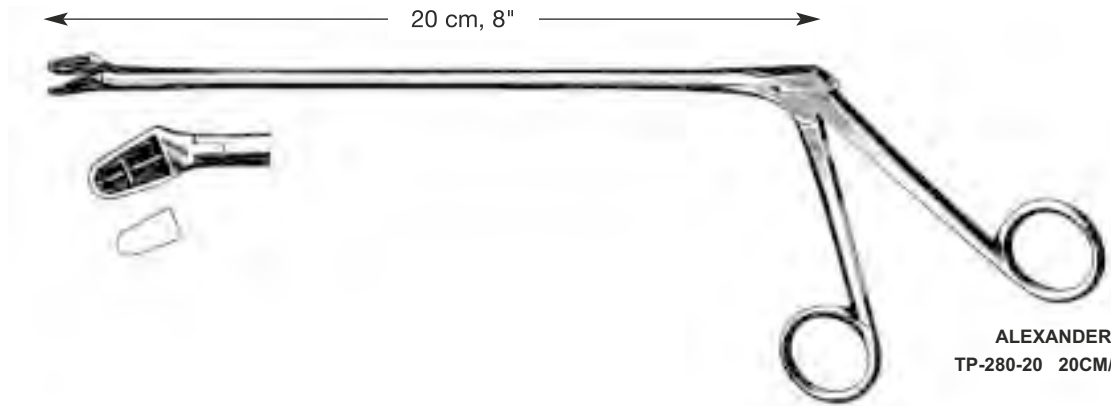
THOMS-GAYLOR
TP-270-24
24CM/9½"

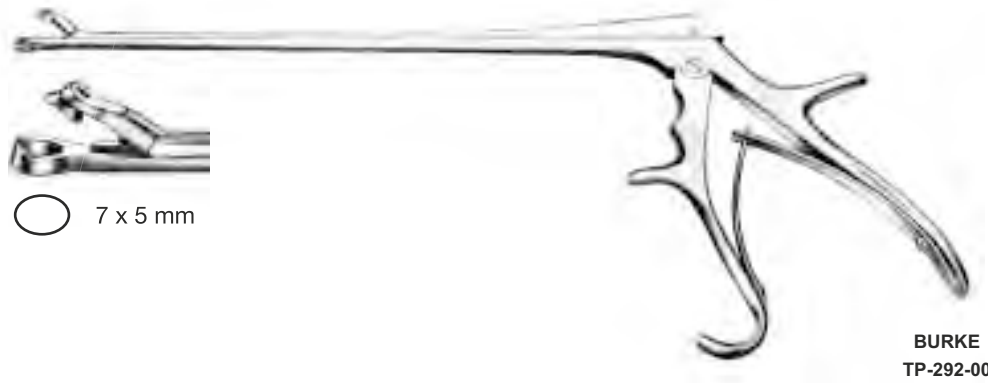
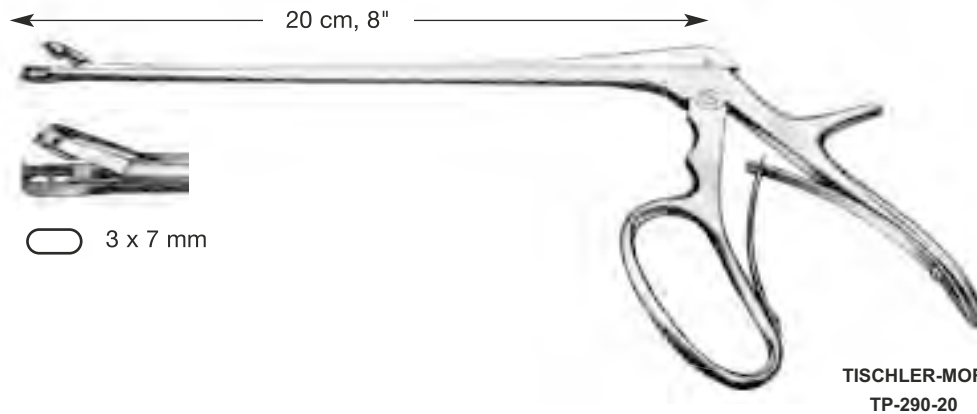


GELLHORN
TP-275-23
23CM/9"



VAN-DOREN
TP-277-25
25CM/10"







TOWNSEND-TISCHLER

Instrument complete

TP-300-01

Tip only

TP-300-11



TOWNSEND

Instrument complete

TP-300-02

Tip only

TP-300-12



TOWNSEND

Instrument complete

TP-300-03

Tip only

TP-300-13



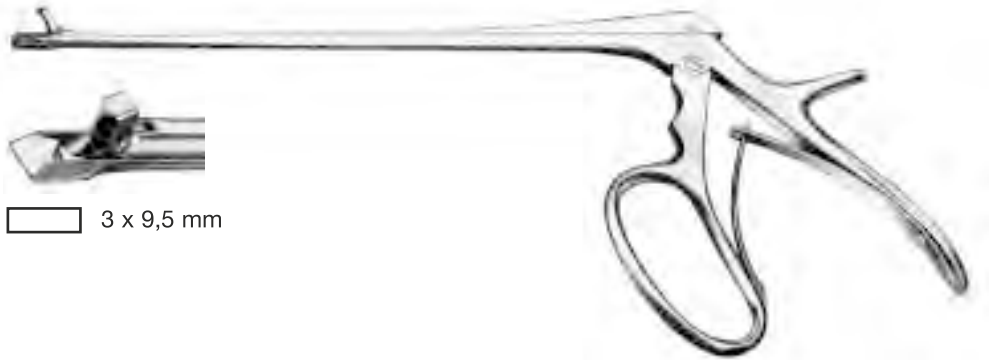
TOWNSEND

Instrument complete

TP-300-04

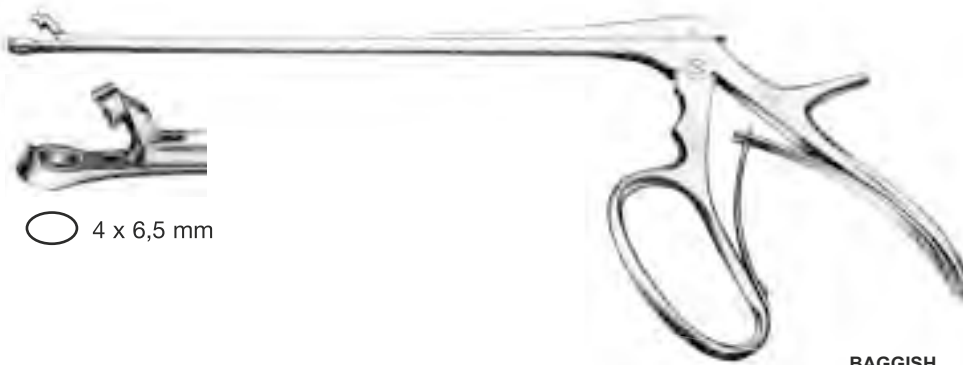
Tip only

TP-300-14



3 x 9,5 mm

TISCHLER-KEVORKIAN
TP-307-00



4 x 6,5 mm

BAGGISH
TP-308-00



4 x 8 mm

EPPENDORFER
TP-310-00



EPPENDORFER



TISCHLER-MORGAN

Instrument complete

TP-312-01

Tip only

TP-312-11



EPPENDORFER

Instrument complete

TP-312-02

Tip only

TP-312-12



EPPENDORFER

Instrument complete

TP-312-03

Tip only

TP-312-13



KEVORKIAN

Instrument complete

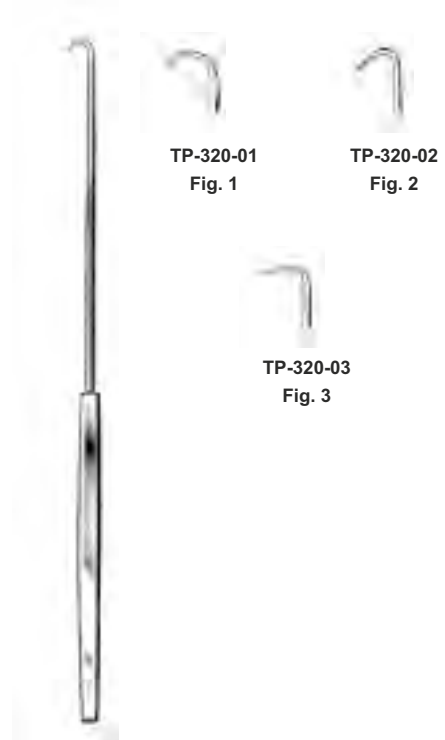
TP-312-04

Tip only

TP-312-14



SEGOND
TP-317-27
27CM/10½"



EMMET
22CM/8½"



MYOMA (T-SHAPE)



TM-113-17-3 Ring
17CM/6¾"



TM-114-17-4 Ring
17CM/6¾"



MYOMA (DOYEN)



TM-115-17-3 Ring
17CM/6¾"



TM-116-17-4 Ring
17CM/6¾"



SIMON
25CM/10"



TM-112-01
Fig. 1



TM-112-02
Fig. 2



TM-112-03
Fig. 3



TM-112-04
Fig. 4



TM-112-05
Fig. 5



TM-112-06
Fig. 6



BLAKE

SHARP / BLUNT
 TM-110-00 26CM/10¼"
 TM-110-0 26CM/10¼"
 TM-110-1 26CM/10¼"
 TM-110-2 26CM/10¼"
 TM-110-3 26CM/10¼"
 TM-110-4 26CM/10¼"



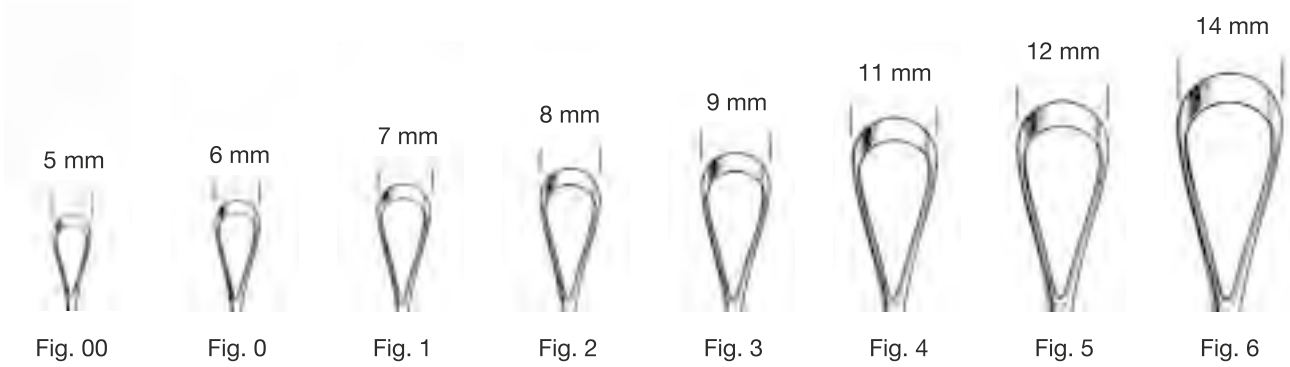
**LEECH WILKSON
WITH LOCK**
TM-139-00



**LEECH WILKSON
WITHOUT LOCK**
TM-140-00

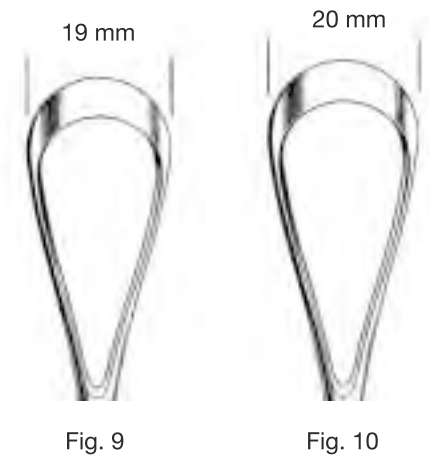
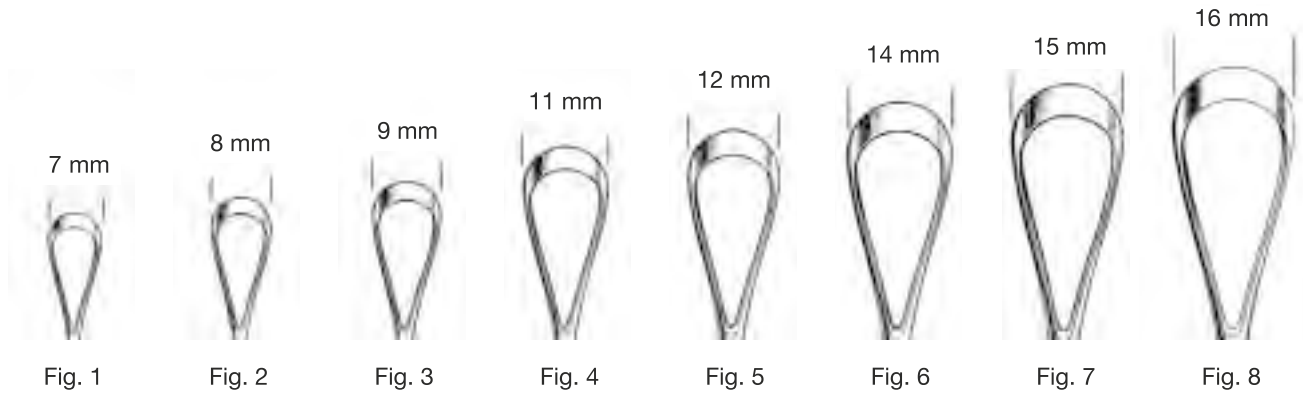


M.T.P.
TM-147



SIMS
28CM/11"

	sharp, rigid	blunt, rigid	sharp, malleable	blunt, malleable
Fig. 00	TP-322-05	TP-324-05	TP-323-05	TP-325-05
Fig. 0	TP-322-06	TP-324-06	TP-323-06	TP-325-06
Fig. 1	TP-322-07	TP-324-07	TP-323-07	TP-325-07
Fig. 2	TP-322-08	TP-324-08	TP-323-08	TP-325-08
Fig. 3	TP-322-09	TP-324-09	TP-323-09	TP-325-09
Fig. 4	TP-322-11	TP-324-11	TP-323-11	TP-325-11
Fig. 5	TP-322-12	TP-324-12	TP-323-12	TP-325-12
Fig. 6	TP-322-14	TP-324-14	TP-323-14	TP-325-14



RECAMIER
31CM/12½"

	sharp, rigid	blunt, rigid	sharp, malleable	blunt, malleable
Fig. 1	TP-326-07	TP-328-07	TP-327-07	TP-329-07
Fig. 2	TP-326-08	TP-328-08	TP-327-08	TP-329-08
Fig. 3	TP-326-09	TP-328-09	TP-327-09	TP-329-09
Fig. 4	TP-326-11	TP-328-11	TP-327-11	TP-329-11
Fig. 5	TP-326-12	TP-328-12	TP-327-12	TP-329-12
Fig. 6	TP-326-14	TP-328-14	TP-327-14	TP-329-14
Fig. 7	TP-326-15	TP-328-15	TP-327-15	TP-329-15
Fig. 8	TP-326-16	TP-328-16	TP-327-16	TP-329-16
Fig. 9	TP-326-19	TP-328-19	TP-327-19	TP-329-19
Fig. 10	TP-326-20	TP-328-20	TP-327-20	TP-329-20



Fig. 14



Fig. 15



Fig. 16



BUMM
28CM/11"

	sharp, rigid	blunt, rigid	sharp, malleable	blunt, malleable
Fig. 14	TP-326-30	TP-328-30	TP-327-30	TP-329-30
Fig. 15	TP-326-35	TP-328-35	TP-327-35	TP-329-35
Fig. 16	TP-326-40	TP-328-40	TP-327-40	TP-329-40



TriMed Technologies

Customise Surgical Solution & Instruments

4/E-1, Second Floor, Nuchana Tower,

Alaknanda Shopping Complex, Alaknanda, New Delhi - 110019 (INDIA)

Ph:- +91-11-41051188, Mobile:-+91-8459130431

Email: trimedtechnologies@gmail.com, info@trimed.co.in

Web: www.trimed.co.in